

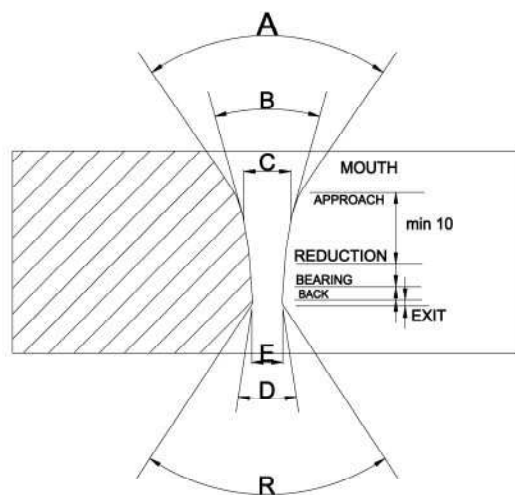
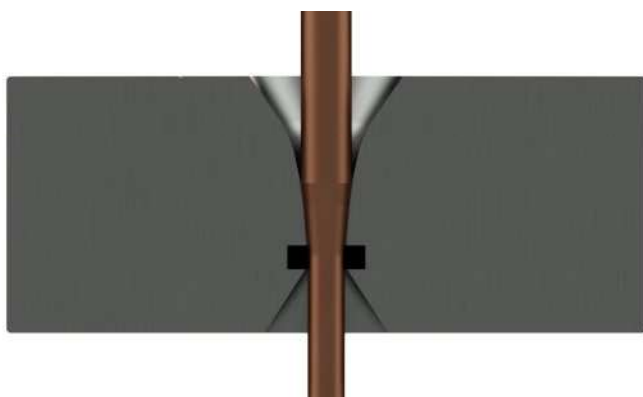
PCD Diamond Wire Drawing Die For Soft Metal Wire



No.	Hole	PCD	Case	Tolerance
DAISJL -0503	1.0-1.70	5*3	28*13	±0.003
DAISJL -0604	1.71-2.50	6*4	30*14	±0.003
DAISJL -0804	2.51-2.70	8*4	32*16	±0.003
DAISJL -0905	2.71-3.30	9*5	40*26	±0.003
DAISJL -1006	3.31-3.90	10*6	40*26	±0.003
DAISJL -1208	3.91-4.40	12*8	40*27	±0.003
DAISJL -1410	4.41-5.00	14*10	40*28	±0.005
DAISJL -1610	5.01-6.00	16*10	40*28	±0.005
DAISJL -1810	6.01-7.00	18*10	40*28	±0.005
DAISJL -2012	7.01-8.50	20*12	45*30	±0.005
DAISJL -2012	8.51-11.00	20*12	55*30	±0.01
DAISJL -2214	11.01-13.00	22*14	55*35	±0.01
DAISJL -2416	13.01 -15.00	24*16	55*38	±0.01
DAISJL -2616	15.01-17.00	26*16	55*38	±0.01
DAISJL -2816	17.01-19.00	28*16	60*38	±0.01
DAISJL -3018	19.01-21.00	30*18	60*40	±0.01
DAISJL -3218	21.01-23.00	32*18	70*40	±0.01
DAISJL -3418	23.01-25.00	34*18	70*40	±0.01
DAISJL -3618	25.01-27.00	36*18	70*40	±0.01
DAISJL -3822	27.01-29.00	38*22	80*42	±0.01
DAISJL -4025	29.01-31.00	40*25	80*45	±0.01
DAISJL -4226	31.01-33.00	42*26	80*46	±0.01



PCD Diamond Wire Drawing Die For Copper wire



No.	Hole	High crystal PCD	Case	Tolerance
DAISGT-0503	1.00-1.50	5*3	28*13	±0.003
DAISGT-0604	1.51-2.40	6*4	30*14	±0.003
DAISGT-0804	2.41-2.70	8*4	32*16	±0.003
DAISGT-0905	2.71-2.85	9*5	35*18	±0.003
DAISGT-1006	2.86-3.00	10*6	40*26	±0.003
DAISGT-1206	3.01-3.90	12*6	40*26	±0.003
DAISGT-1308	3.91-4.40	13*8	40*27	±0.005
DAISGT-1410	4.41-5.00	14*10	40*28	±0.005
DAISGT-1610	5.01-6.00	16*10	40*28	±0.005
DAISGT-1810	6.01-7.00	18*10	45*28	±0.005
DAISGT-2012	7.01-8.00	20*12	45*30	±0.005



PCD Diamond Wire Drawing Die For Copper wire



No.	Hole	CD	Case	Tolerance
DAISCDT-2510	0.1-0.30	2.5*1.0	25*9	±0.001
DAISCDT-3215	0.31-0.60	3.2*1.5	25*9	±0.001
DAISCDT-4020	0.61-0.90	4*2	25*9	±0.001
DAISCDT-5030	0.91-1.70	5*3	28*13	±0.003
DAISCDT-6040	1.71-2.50	6*4	30*14	±0.003
DAISCDT-8040	2.51-2.70	8*4	32*16	±0.003
DAISCDT-9853	2.71-3.30	9*5	40*26	±0.003
DAISCDT-10*6	3.31-3.90	10*6	40*26	±0.003
DAISCDT-12*6	3.91-4.40	12*6	40*26	±0.003
DAISCDT-13*8	4.41-5.00	13*8	40*27	±0.003
DAISCDT-14*10	5.01-6.00	14*10	40*28	±0.005
DAISCDT-16*10	6.01-7.00	16*10	40*28	±0.005
DAISCDT-18*10	7.01-8.00	18*10	45*28	±0.005
DAISCDT-20*12	8.01-10.00	20*12	45*30	±0.005



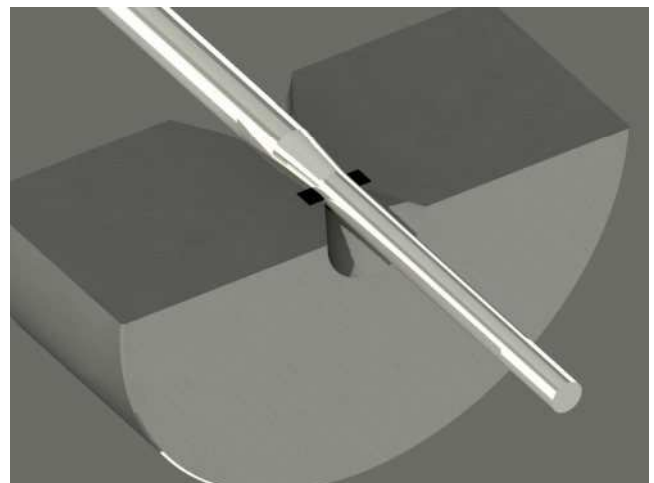
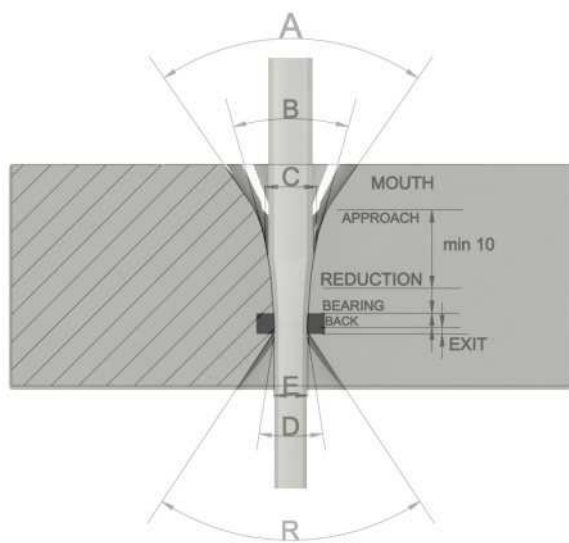
PCD Diamond Wire Drawing Die For Iron Wire



No.	Hole	PCD	Case	Tolerance
DAISJF-0503	0.50-1.00	5*3	28*13	±0.003
DAISJF-0604	1.01-1.50	6*4	30*14	±0.003
DAISJF-0804	1.51-2.00	8*4	32*16	±0.003
DAISJF-0905	2.01-2.25	9*5	40*26	±0.003
DAISJF-1006	2.26-2.50	10*6	40*26	±0.003
DAISJF-1208	2.01-3.00	12*8	40*27	±0.003
DAISJF-1410	3.01-4.00	14*10	40*28	±0.003
DAISJF-1610	4.01-5.00	16*10	40*28	±0.003
DAISJF-1810	5.01-6.00	18*10	45*28	±0.003
DAISJF-2012	6.01-8.00	20*12	65*32	±0.005
DAISJF-2214	8.01-10.00	22*14	65*35	±0.005
DAISJF-2416	10.01-12.00	24*16	65*38	±0.005
DAISJF-2616	12.01-14.00	26*16	65*38	±0.005
DAISJF-2816	14.01-18.00	28*16	70*38	±0.005
DAISJF-3018	18.01-20.00	30*18	70*40	±0.005
DAISJF-3218	20.01-21.00	32*18	70*40	±0.005
DAISJF-3418	21.01-23.00	34*18	70*40	±0.005
DAISJF-3618	23.01-24.00	36*18	70*40	±0.005
DAISJF-3822	24.01-25.00	38*22	80*42	±0.005
DAISJF-4025	25.01-26.00	40*25	80*45	±0.005
DAISJF-4226	26.01-27.00	42*26	80*46	±0.005



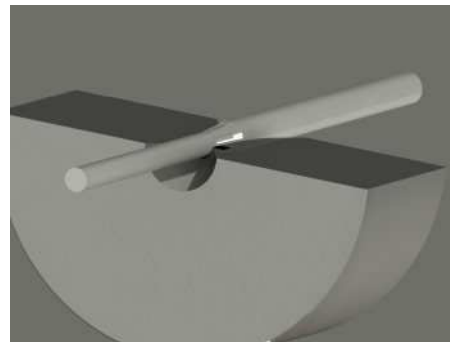
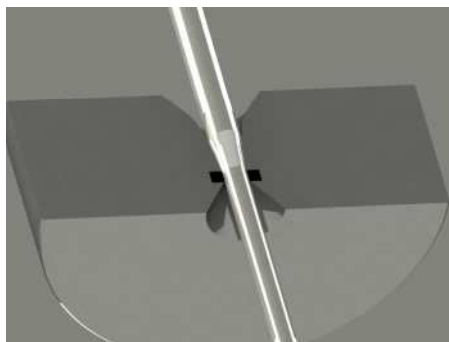
High crystal PCD wire drawing die For Iron Wire



No.	Hole	High crystal PCD	Case	Tolerance
DAISGF-0503	0.50-1.00	5*3	28*13	±0.003
DAISGF-0604	1.01-1.50	6*4	30*14	±0.003
DAISGF-0804	1.51-2.00	8*4	32*16	±0.003
DAISGF-0905	2.01-2.25	9*5	40*26	±0.003
DAISGF-1006	2.26-2.50	10*6	40*26	±0.003
DAISGF-1206	2.51-2.75	12*6	40*26	±0.003
DAISGF-1308	2.76-3.00	13*8	40*27	±0.003
DAISGF-1410	3.01-4.50	14*10	40*28	±0.005
DAISGF-1610	4.51-5.00	16*10	40*28	±0.005
DAISGF-1810	5.01-6.00	18*10	45*28	±0.005



CD Wire Drawing Die For Hard Metal Wire



No.	Hole	CD	Case	Tolerance
DAISCDF-2510	0.10-0.20	2.5*1.0	25*9	±0.001
DAISCDF-3215	0.21-0.40	3.2*1.5	25*9	±0.001
DAISCDF-4020	0.41-0.60	4*2	25*9	±0.001
DAISCDF-5030	0.61-1.00	5*3	28*13	±0.003
DAISCDF-6040	1.01-1.50	6*4	30*14	±0.003
DAISCDF-8040	1.51-2.00	8*4	32*16	±0.003
DAISCDF-9853	2.01-2.25	9*5	40*26	±0.003
DAISCDF-10*6	2.26-2.50	10*6	40*26	±0.003
DAISCDF-12*6	2.51-2.75	12*6	40*26	±0.003
DAISCDF-13*8	2.76-3.50	13*8	40*27	±0.003
DAISCDF-14*10	3.51-4.50	14*10	40*28	±0.003
DAISCDF-16*10	4.51-5.00	16*10	40*28	±0.003
DAISCDF-18*10	5.01-6.00	18*10	45*28	±0.003
DAISCDF-20*12	6.01-8.00	20*12	45*28	±0.005
DAISCDF-22*14	8.01-10.00	22*14	60*35	±0.005
DAISCDF-25*16	10.01-13.00	25*16	60*38	±0.005
DAISCDF-30*20	13.01-16.00	30*20	70*42	±0.005
DAISCDF-40*25	16.01-20.00	40*25	80*45	±0.005



PCD stranding wire dies



No.	Hole	PCD	Case	Tolerance
DAISJD 0503	1.00 1.70	5X3	28X13	±0.01
DAISJD-0604	1.71-2.50	6X4	30X14	±0.01
DAISJD-0804	2.51-2.70	8X4	32X15	±0.01
DAISJD 0905	2.71 3.00	9X5	35X18	±0.01
DAISJD-1208	3.01-6.00	12X8	55X26	±0.01
DAISJD-1410	6.01-7.00	14X10	55X28	±0.01
DAISJD-1610	7.01-9.00	16X10	55X28	±0.01
DAISJD 1810	9.01 10.00	18X10	55X28	±0.01
DAISJD-2012	10.01-12.00	20X12	55X30	±0.01
DAISJD-2214	12.01-14.00	22X14	55X35	±0.01
DAISJD 2416	14.01 16.00	24X16	55X38	±0.01
DAISJD-2616	16.01-18.00	26X16	55X38	±0.01
DAISJD-2816	18.01-20.00	28X16	60X38	±0.01
DAISJD 3018	20.01 22.00	30X18	60X40	±0.01
DAISJD-3218	22.01-24.00	32X18	70X40	±0.01
DAISJD-3418	24.01-26.00	34X18	70X40	±0.01
DAISJD 3618	26.01 28.00	36X18	70X40	±0.01
DAISJD-3822	28.01-30.00	38X22	80X42	±0.01
DAISJD-4025	30.01-32.00	40X25	80X45	±0.01
DAISJD-4226	32.01-34.00	42X26	80X46	±0.01

Mob: +86 15517518512 +86 15515520695

Email: admin@dais.ltd

Henan Dais Superhard Material Co., Ltd



WeChat

Tungsten Carbide Stranding Wire Dies



No.	Hole	PCD	Case	Tolerance
DAISYD-0806	0.50-1.00	8X6	25X11	+ 0.01
DAISYD-1308	1.01-2.50	13X8	30X16	+ 0.01
DAISYD-1310	2.51-6.00	13X10	55X26	+ 0.01
DAISYD-1610	6.01-8.00	16X10	55X26	+ 0.01
DAISYD-2012	8.01-10.00	20X12	55X26	+ 0.01
DAISYD-2214	10.01-12.00	22X14	55X28	+ 0.01
DAISYD-2616	12.01-14.00	26X16	55X28	+ 0.01
DAISYD-3018	14.01-16.00	30X18	55X28	+ 0.01
DAISYD-3518	16.01-20.00	35X18	55X28	+ 0.01
DAISYD-4020	20.01-25.00	40X20	60X35	+ 0.01
DAISYD-4520	25.01-30.00	45X20	60X35	+ 0.01
DAISYD-5020	30.01-33.00	50X20	70X35	+ 0.01
DAISYD-5520	33.01-36.00	55X20	80X35	+ 0.01

